

Model 7520

Data Entry Arm



Model 7520 is a robust, height-adjustable data entry arm perfect for multiple-user computer stations. The arm suspends the monitor and keyboard anywhere the user positions it – with fingertip adjustment of height. Monitor and keyboard tray angle are independently adjustable. The arm will fold back on itself to conserve space when not in use.

The arm features internal cable management, keeping cables out of view and out of harm's way.

The arm is available with Innovative's FLEXmount™ offering multiple mounting options (desk/counter clamp, through-desk, grommet and wall), or with a dedicated wall mount.

FEATURES

- ▲ Independently pivot monitor and keyboard platform
- ▲ Effortlessly reposition arm to desired position and height – ideal for multiple-user data entry stations
- ▲ Internal cable management
- ▲ Select from mounting options including FLEXmount™ and dedicated wall mount
- ▲ Select from various keyboard platform options



Instant height adjustment



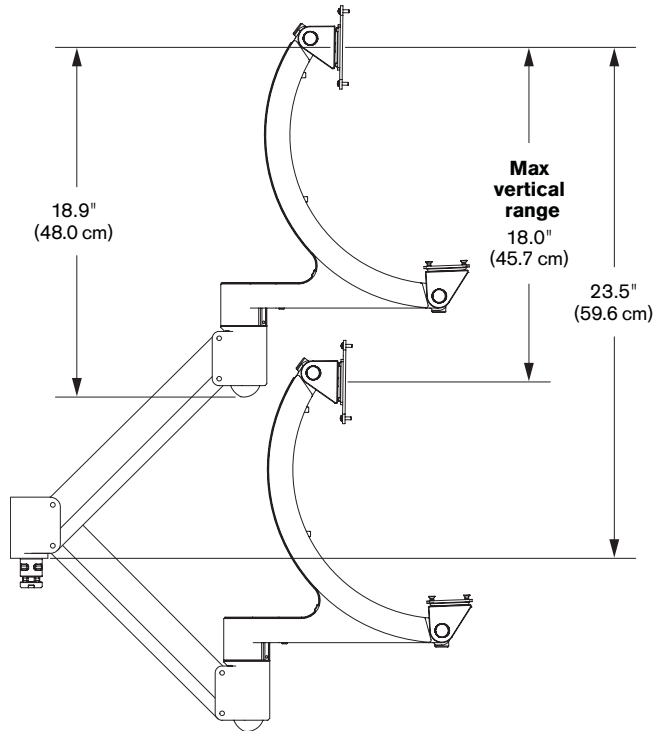
Independent monitor and keyboard tilt



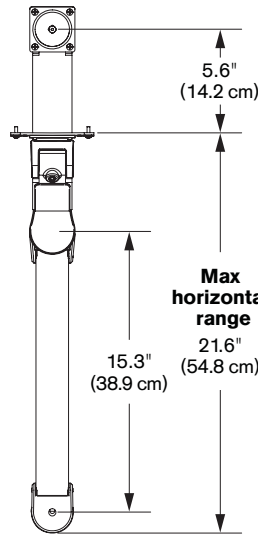
Cable management routes cables inside the arm

Model 7520

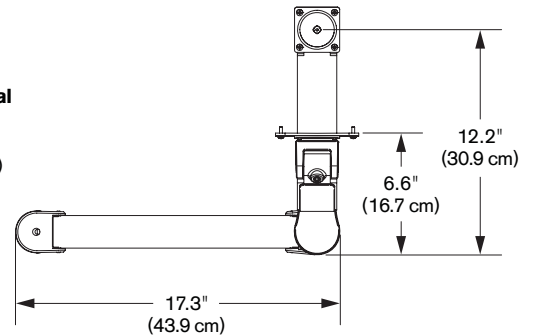
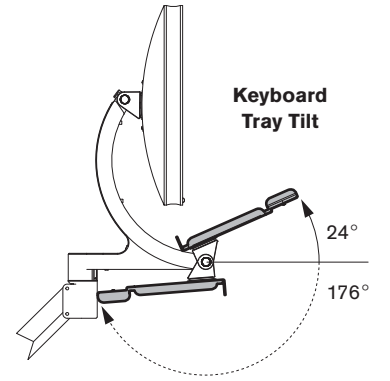
Specifications



VERTICAL RANGE
Side View



HORIZONTAL RANGE
Top View



ARM FOLDED
Top View

CAPABILITIES

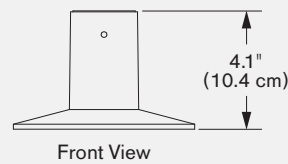
Vertical range..... 18.0" (45.7 cm), +/- 9" (22.9 cm) from horizontal

Horizontal range.....21.6" (54.8 cm)

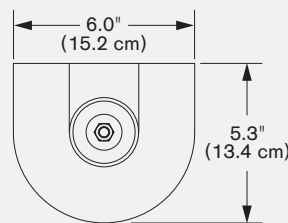
Monitor compatibility.....VESA® 75mm and 100mm

Cable managementCables are concealed in arm

MOUNTS

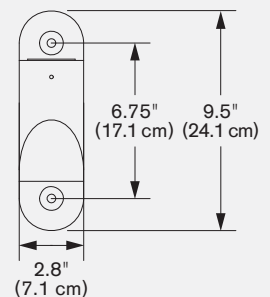


Front View

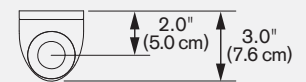


Top View

FLEXMOUNT™
MODEL 8318



Front View



Top View

WALL MOUNT
MODEL 8325