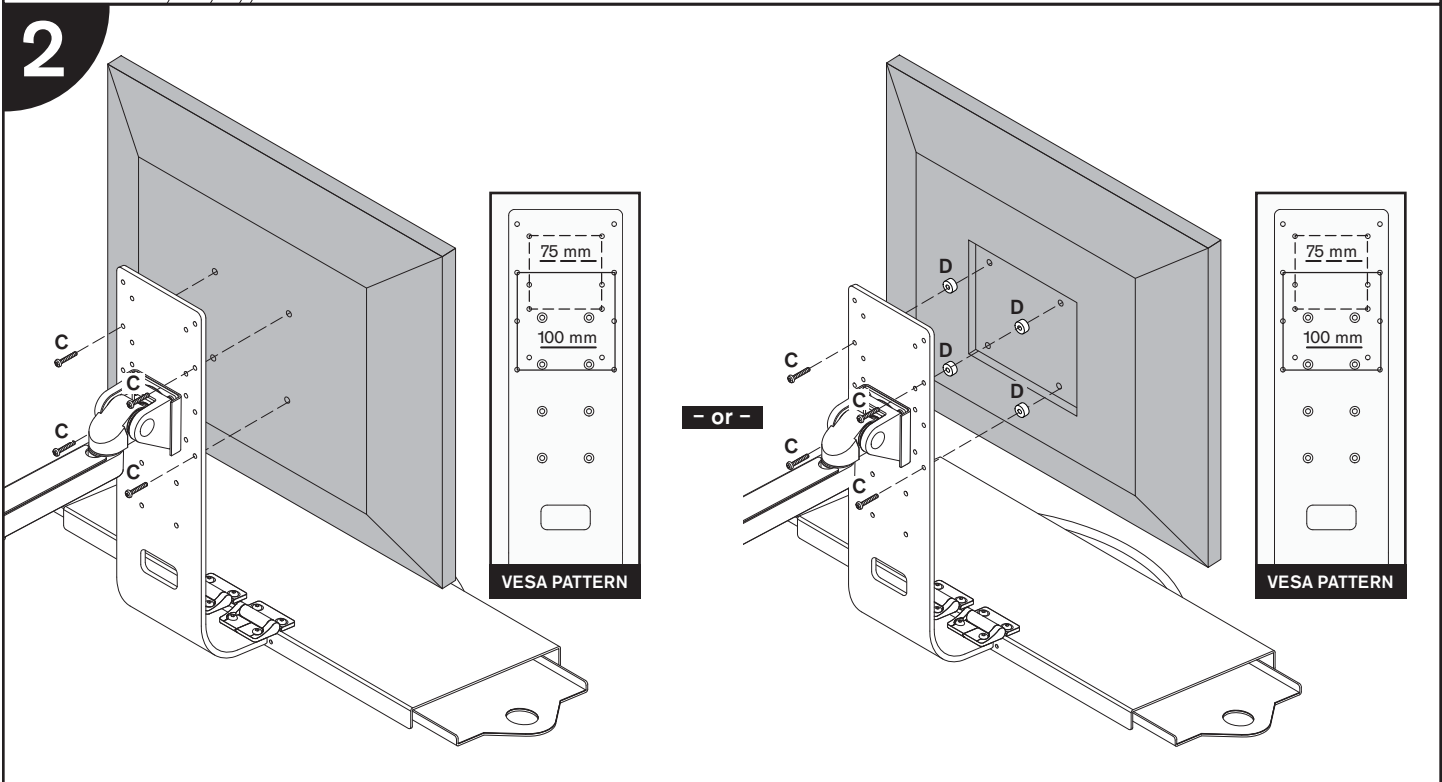
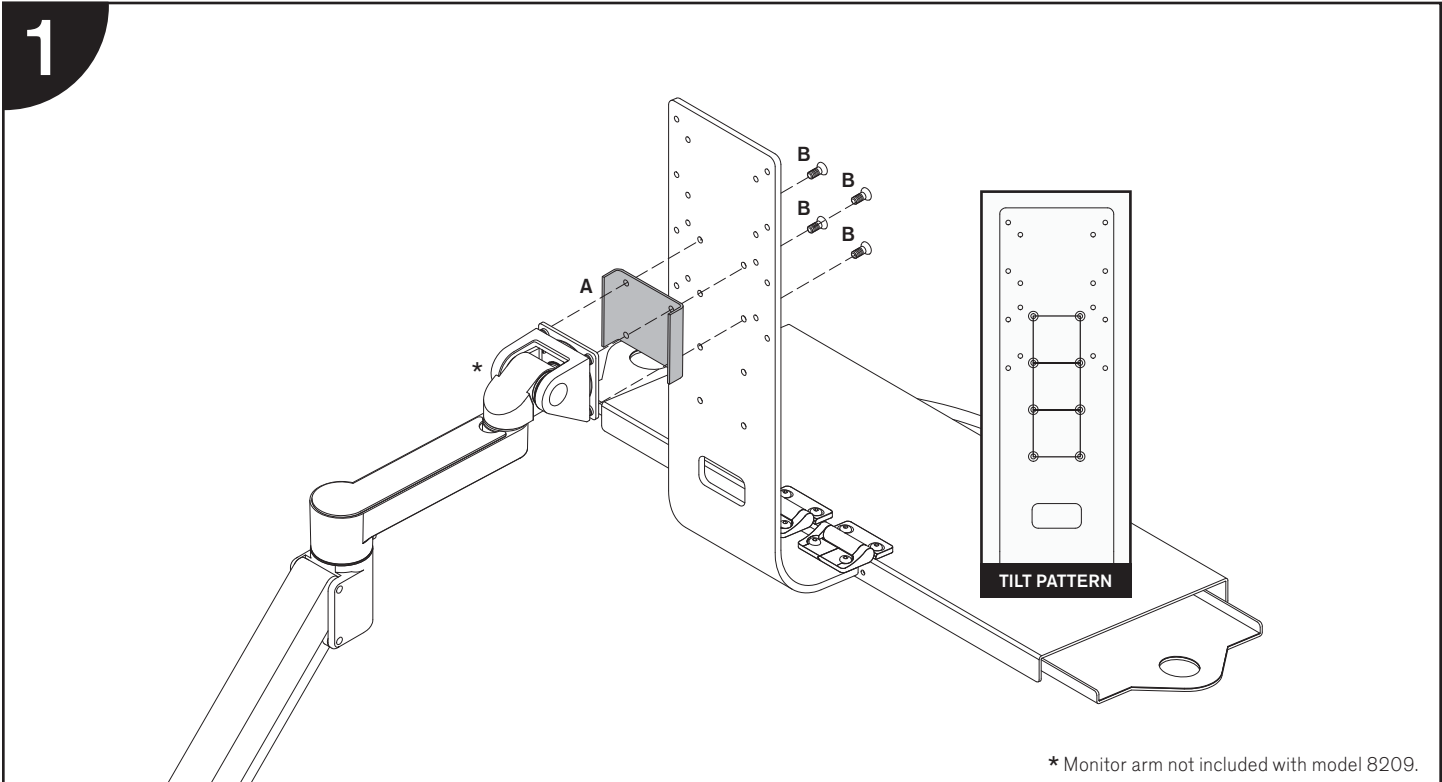
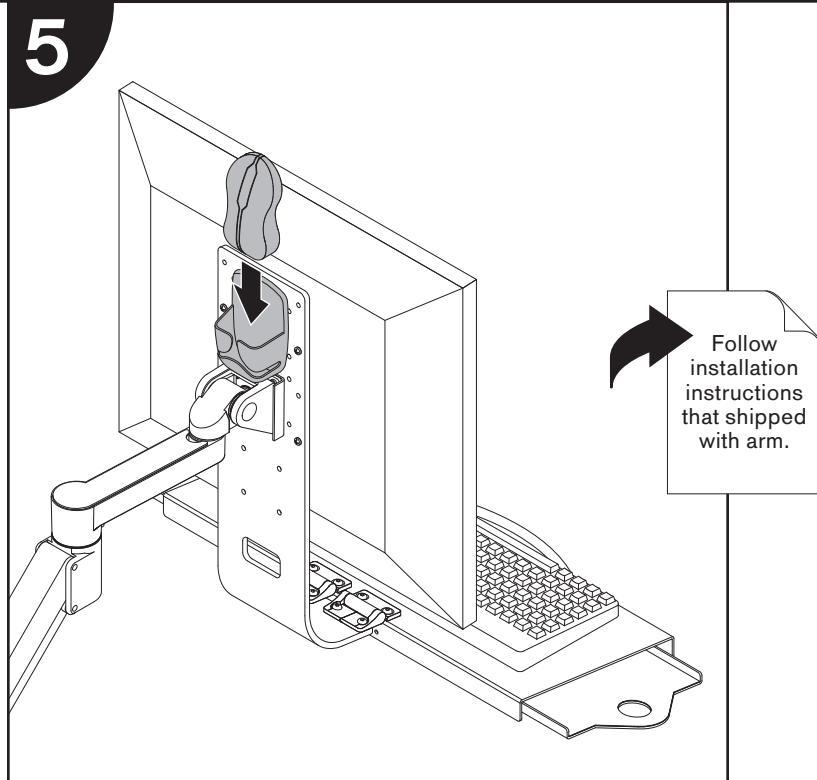
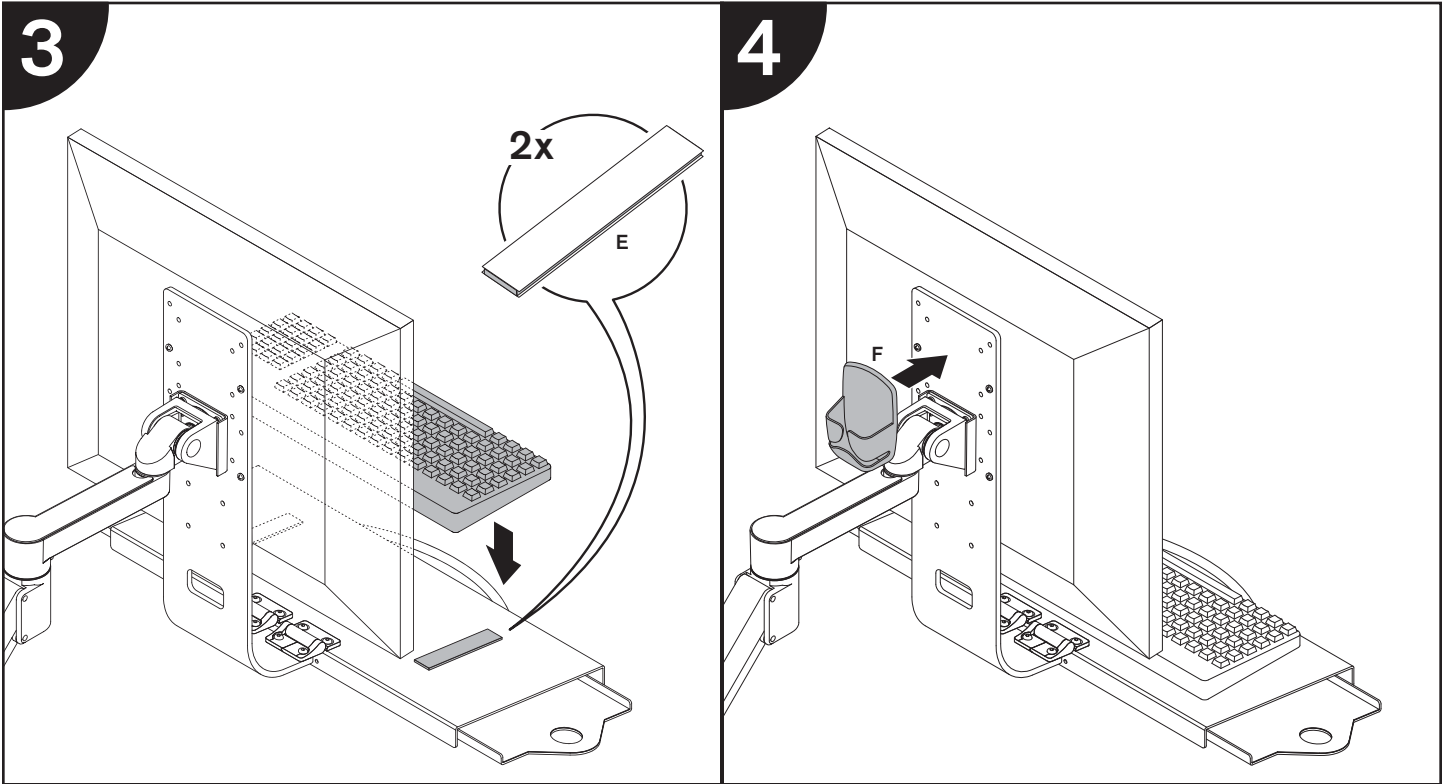
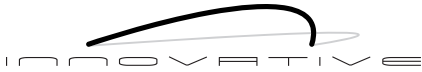


MODEL 8209

Installation Instructions

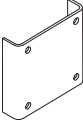

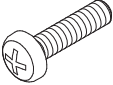


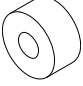
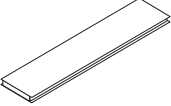





MODEL 8209

Parts List

ITEM	DESCRIPTION / PART NO.	QUANTITY
A 	Rotation Prevention Bracket 702949	1
B 	10-32 x 5/8" Phillips Flat Head Screw 702200	4
C 	M4 x 18mm Phillips Pan Head Screw 704917	4

ITEM	DESCRIPTION / PART NO.	QUANTITY
D 	1/2" Standoff 704920	4
E 	Velcro 701174	2
F 	Mouse Holder w/Velcro Strip 704275	1