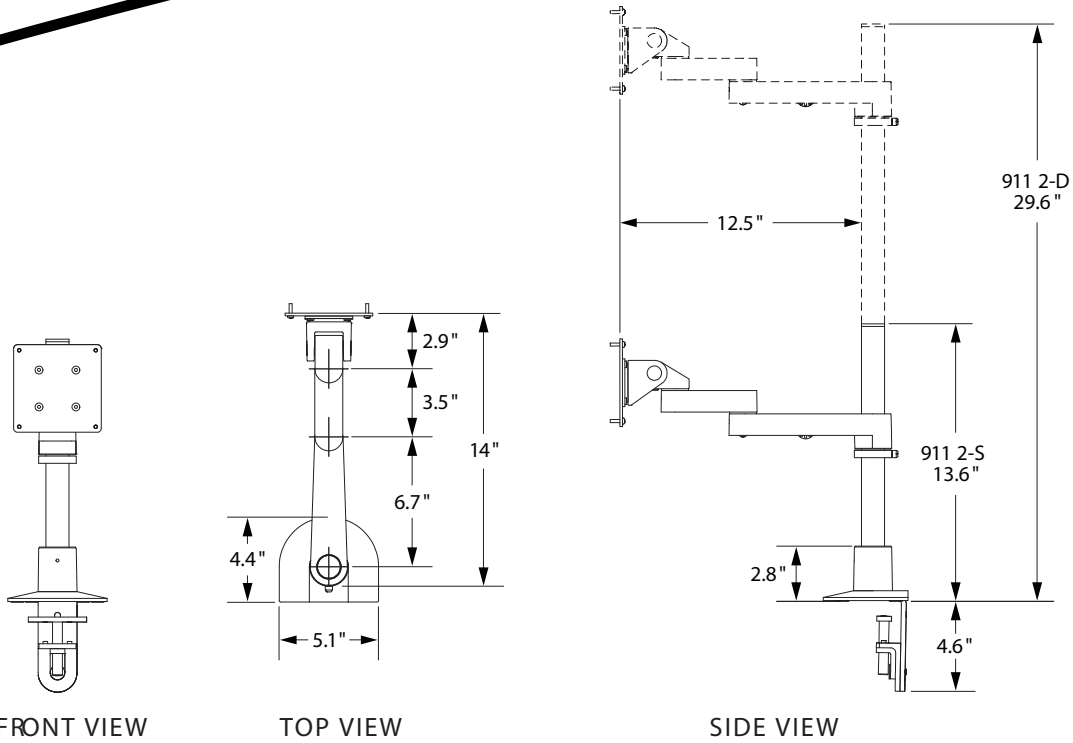


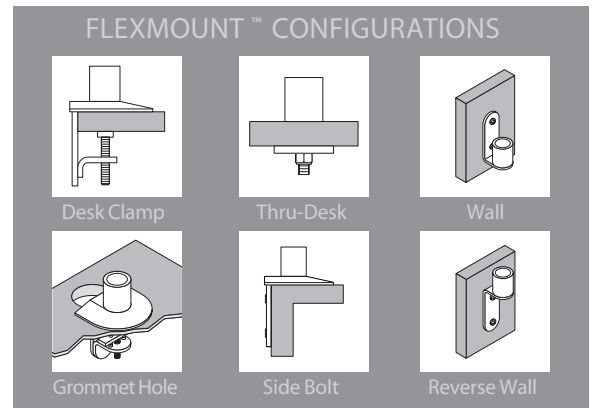
# Model 9112

## Specifications

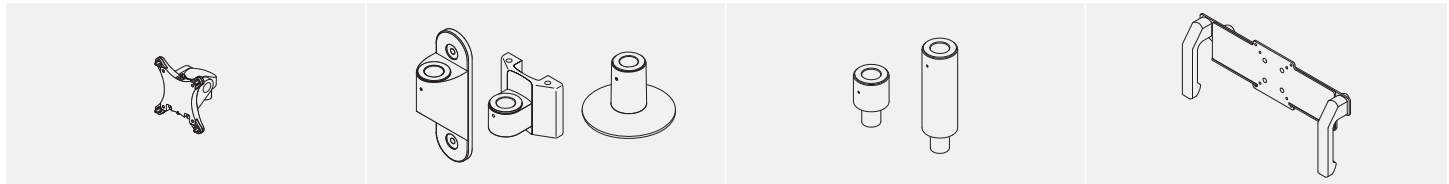


### CAPABILITIES

- Horizontal range ..... 14" from back of pole
- Pole size ..... 12" (9112-S) , 28" (9112-D)
- Monitor tilt..... 200 degrees
- Monitor pivot..... Landscape to portrait
- Monitor compatibility..... VESA® 75mm and 100mm
- Mounting options..... FLEXmount™, Slatwall, Wall, Thru-Desk
- Monitor weight..... Up to 40 lbs per monitor



### OPTIONAL ACCESSORIES



**QUICK RELEASE ADAPTERS**  
Allows for quick attach and release of monitor (8336-QR).

**MOUNTS**  
Wall(8325) , slatwall(8246) and thru-desk (8312).

**EXTENDER TUBES**  
Raise the height of your arm. 2" (8171-2) and 6" (8171-6) extensions available.

**HANDLE SET**  
Provides convenient handles to reposition monitor (8291) .